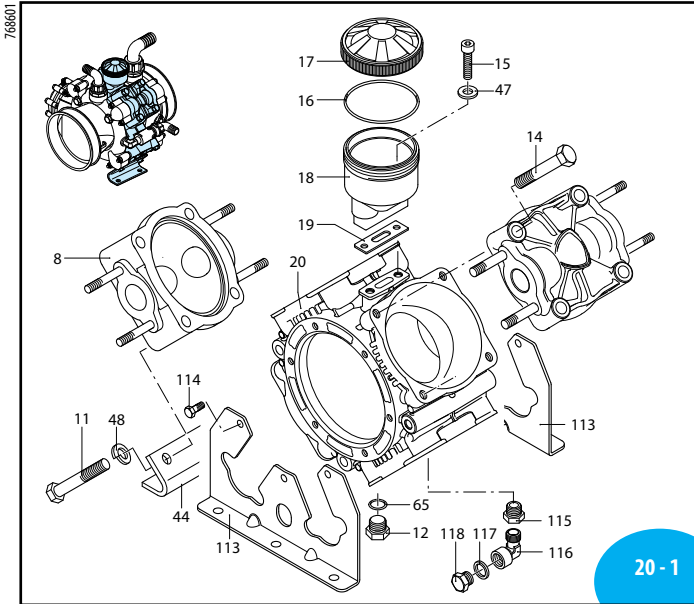
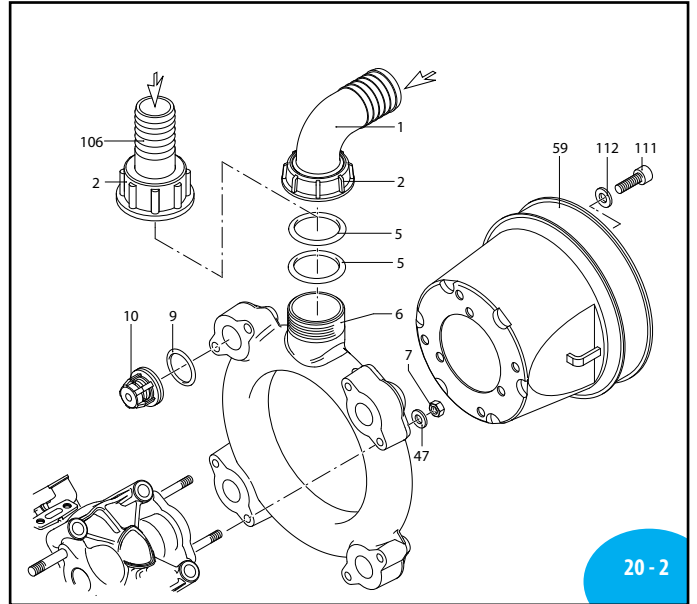


ANNOVIREVERBERI

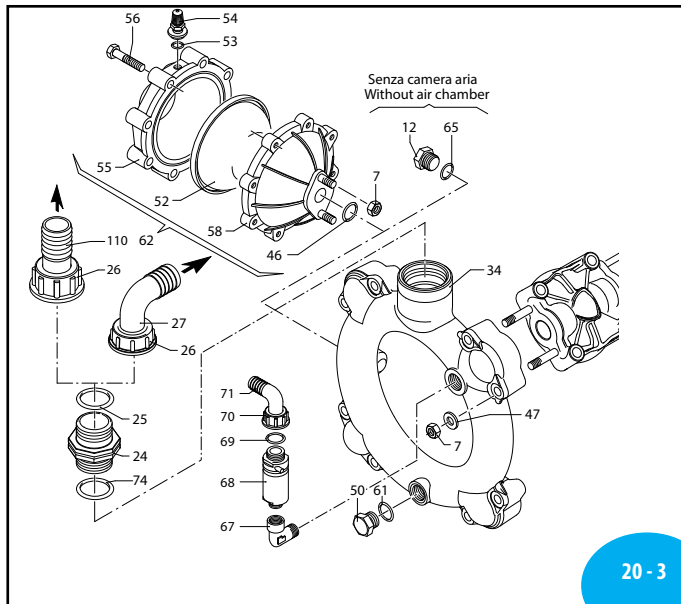
AR 160 bp - AR 185 bp



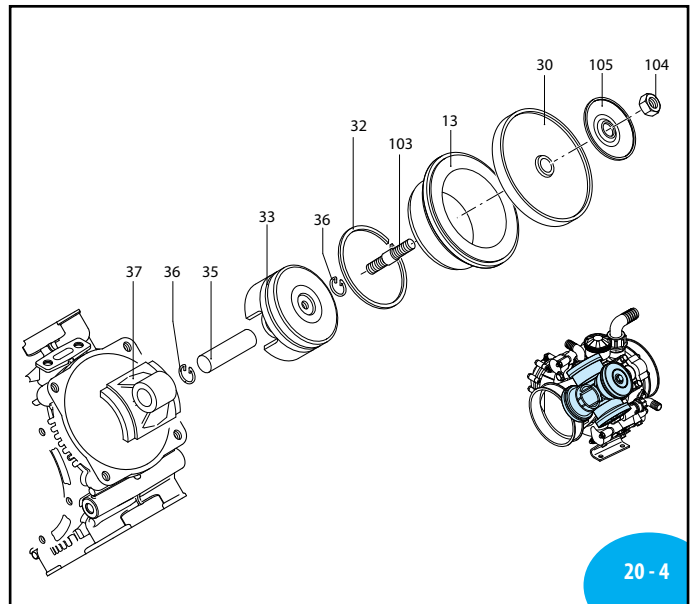
SLO00209-AU



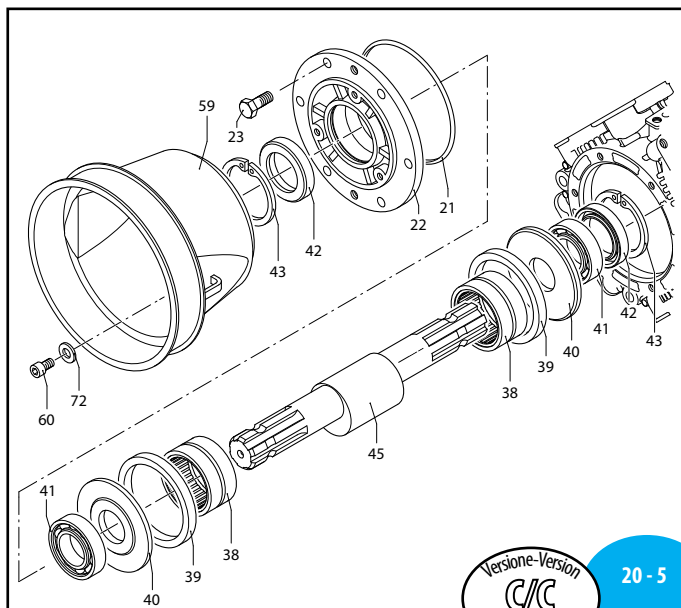
SLO00155-DV



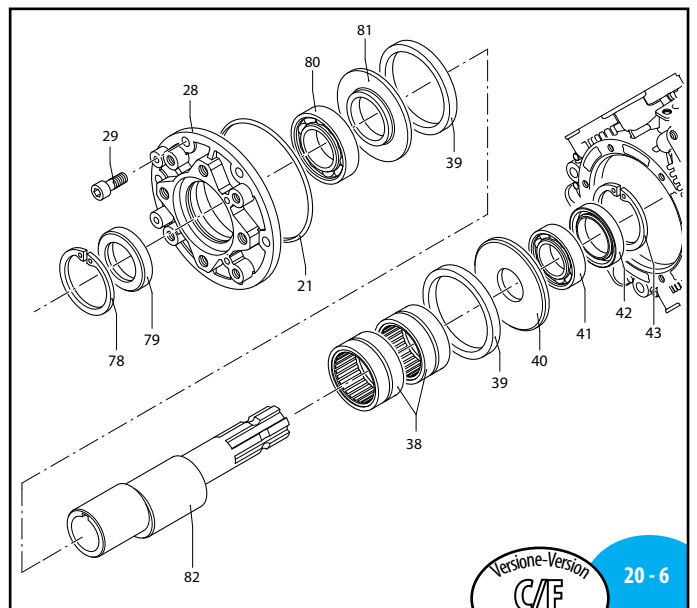
SLO00156-DV



SLO00208-AU



UN000714-IB



UN000715-IB

AR 160 bp - AR 185 bp

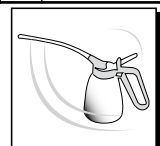
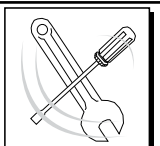
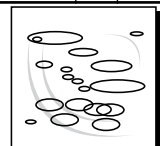
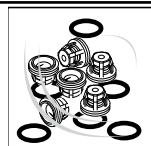
sp_ar160_185bp.pdf

Pos. 序号	Cod. 编号	Description 描述	Q.ty 数量	Note 备注
1	3040430	Elbow Ø 40	1	AR 160 bp
	3040440	Elbow Ø 50	1	AR 185 bp
2	3040450	Ring nut 2" G	1	
5	3040470	O-ring Ø 39,3x2,6	2	☒
6	760750	Line aspirazione	1	
7	380242	Nut M8	18	Geomet C ₂₀
	380244	Nut M8	18	Inox C ₂₀
8	751350	Head plastificata	4	
	751352	Head plastificata	4	Inox
9	680070	O-ring Ø 31,5x4,25	8	☒
10	750051	Valve 单向阀	8	
11	750071	Screw TE M12x70	4	Geomet C ₅₀
	750072	Screw TE M12x70	4	Inox C ₅₀
12	880530	Plug 3/8" G	2	☉ C ₂₀
	2340350	Plug 3/8" G	2	Inox ☉ C ₂₀
13	750110	Sleeve 套筒	4	AR 160 bp
	750115	Sleeve 套筒	4	AR 185 bp
14	750061	Screw TE M12x65	12	Geomet C ₅₀
	750062	Screw TE M12x65	12	Inox C ₅₀
15	680350	Screw TCEI M8x35	2	C ₁₀
16	1040060	O-ring Ø 72,69x2,62	1	☒
17	750057	Plug nero	1	AR 160 bp
	750052	Plug rosso	1	AR 185 bp
18	750030	Tank 油罐	1	
19	750040	Gasket 垫圈	1	☒
20	761010	Pump body 泵体	1	
21	851360	O-ring Ø 120,32x2,62	1	☒
22	680020	Support 支撑座	1	☒
23	160670	Screw TE M10x25	6	Geomet C ₄₀ ☒
	160673	Screw TE M10x25	6	Inox C ₄₀ ☒
24	751130	Fitting 1" 1/2 G M-M	1	
25	390290	O-ring Ø 29x3	1	☒
26	750670	Ring nut 1" 1/2 G	1	
27	760930	Elbow Ø 25	1	AR 160 bp
	3040160	Elbow Ø 35	1	AR 185 bp
28	2420181	Support 支撑座	1	☒
29	650640	Screw TCEI M10x25	6	Geomet C ₄₀
	650642	Screw TCEI M10x25	6	Inox C ₄₀
30	550080	Diaphragm 隔膜	4	NBR
	550084	Diaphragm 隔膜	4	Viton
	550085	Diaphragm 隔膜	4	Desmopan
	550086	Diaphragm 隔膜	4	HPDS
32	500260	Piston ring 柱塞环	4	
33	750122	Piston Ø 80	4	
34	760760	Line mandata	1	
35	160700	Pin 插针	4	☒
36	160691	Ring seeger Øi 18	8	
37	760140	Connecting-rod 连杆	4	
38	750090	Bearing 轴承	2	
39	750130	Ring biella	2	☒
40	540040	Plate 弹簧片	2	
41	230350	Bearing 轴承	2	↓
42	160740	Ring tenuta	2	☒
43	200390	Ring seeger Øi 62	2	
44	760201	Foot 支架	2	
45	750170	Shaft C/C m-AU	1	AR 160 bp
	750174	Shaft C/C m-AV	1	AR 185 bp
46	390290	O-ring Ø 29x3	1	☒

Pos. 序号	Cod. 编号	Description 描述	Q.ty 数量	Note 备注
47	380243	Washer 垫圈	18	Geomet
	390315	Washer 垫圈	18	Inox
48	250143	Washer 垫圈	4	Geomet
	250144	Washer 垫圈	4	Inox
50	330173	Plug 1/2" G	1	Geomet ☉ C ₂₀
	330174	Plug 1/2" G	1	Inox ☉ C ₂₀
	550190	Semi air chamber 半气室	1	NBR
	550191	Semi air chamber 半气室	1	Saturflon
	550192	Semi air chamber 半气室	1	Viton
	550193	Semi air chamber 半气室	1	HPDS
	650542	Gasket 垫片	1	
53	180020	Air valve 空气阀	1	C ₃
54	620232	Semi air chamber superiore 半气室	1	Nera
55	621781	Screw TE M8x40	8	Geomet C ₂₀
56	621782	Screw TE M8x40	8	Inox C ₂₀
58	680180	Halfball inferiore 半球	1	
59	1500470	Cardan protection 万向防护罩	2	
60	850251	Screw TCEI M8x12	3	Geomet C ₂₀
	850252	Screw TCEI M8x12	3	Inox C ₂₀
61	180101	O-ring Ø 17,5x2	1	☒
62	1552	Air chamber completa 气室	1	
65	740290	O-ring Ø 14x1,78	2	☒
67	881560	Fitting 1/2" G M-F	1	☒
68	1609000	Safety valve 安全阀	1	☒
69	880831	O-ring Ø 15,54x2,62	1	Viton
70	550450	Ring nut 3/4" G	1	
71	550460	Elbow Ø 18	1	
72	390314	Washer 垫圈	3	Geomet
	390315	Washer 垫圈	3	Inox
74	751140	O-ring Ø 47,22x3,53	1	☒
78	620330	Ring seeger Øi 65	1	
79	1800090	Ring tenuta	1	☒
80	230310	Bearing 轴承	1	↓
81	760510	Plate 弹簧片	1	
82	760450	Shaft C/F Ø25 m-BX	1	AR 160 bp
	760520	Shaft C/F Ø32 m-BS	1	AR 160 bp
	760460	Shaft C/F Ø25 m-BZ	1	AR 185 bp
	760530	Shaft C/F Ø32 m-BT	1	AR 185 bp
103	2240100	Hub pin 轮轴插针	4	☒ C ₃₅
104	2240110	Nut M10	4	Inox ☉ C ₃₀
105	751250	Wobble plate 活动弹簧片	4	
106	760950	Hose tail Ø 40	1	AR 160 bp
	760570	Hose tail Ø 50	1	AR 185 bp
110	760920	Hose tail Ø 25	1	AR 160 bp
	760940	Hose tail Ø 35	1	AR 185 bp
111	820673	Screw TCEI M10x16	3	Geomet
	820672	Screw TCEI M10x16	3	Inox
112	320621	Washer 垫圈	3	Geomet
	320622	Washer 垫圈	3	Inox
113	761030	Foot 支架	2	
114	160672	Screw TE M10x25	6	Geomet ☉ C ₂₀
	160673	Screw TE M10x25	6	Inox ☉ C ₂₀
115	1040491	Fitting 3/8" M-F	1	☒
116	900210	Fitting 3/8" G M-F	1	☒
117	2260200	Washer 垫圈	1	
118	2281270	Plug 3/8" G	1	☉ C ₂₀

Low Pressure 低压

Nuove teste. C.I. 0478MG



KIT 2371	
Buna diaphragms 丁纳橡胶隔膜	
KIT 2372	
HPDS diaphragms HPDS 隔膜	
KIT 2373	
Desmopan diaphragms 德国拜耳隔膜	
Pos. 序号	Q.ty 数量
30	4

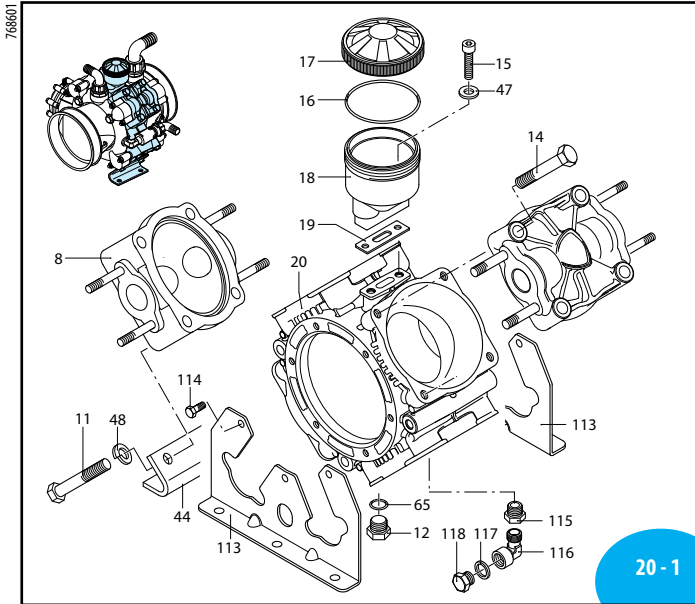
KIT 2374	
Valves 单向阀	
Pos. 序号	Q.ty 数量
9	8
10	8

KIT 42510			
O-Rings O型圈			
Pos. 序号	Q.ty 数量	Pos. 序号	Q.ty 数量
5	2	69	1
9	8	74	1
16	1		
21	1		
25	1		
46	1		
53	1		
61	1		
65	2		

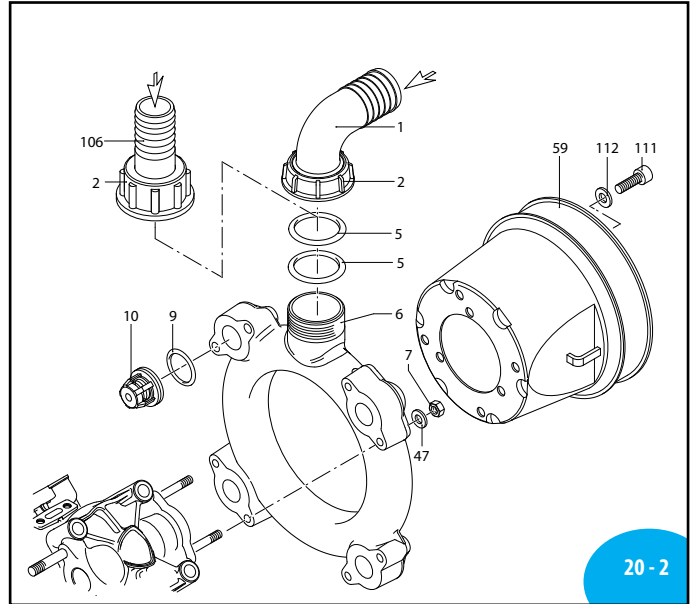
KIT 42511 - AR 160 bp					
KIT 42512 - AR 185 bp					
Maintenance repair 维修工具					
Pos. 序号	Q.ty 数量	Pos. 序号	Q.ty 数量	Pos. 序号	Q.ty 数量
1	1	21	1	61	1
2	1	24	1	65	2
5	2	25	1	69	1
9	8	26	1	74	1
10	8	27	1	103	4
16	1	30	4	104	4
17	1	42	2	105	4
18	1	46	1		
19	1	52	1		

Used oil 使用机油	
Type / 类型	Kg
SAE 30	1,4

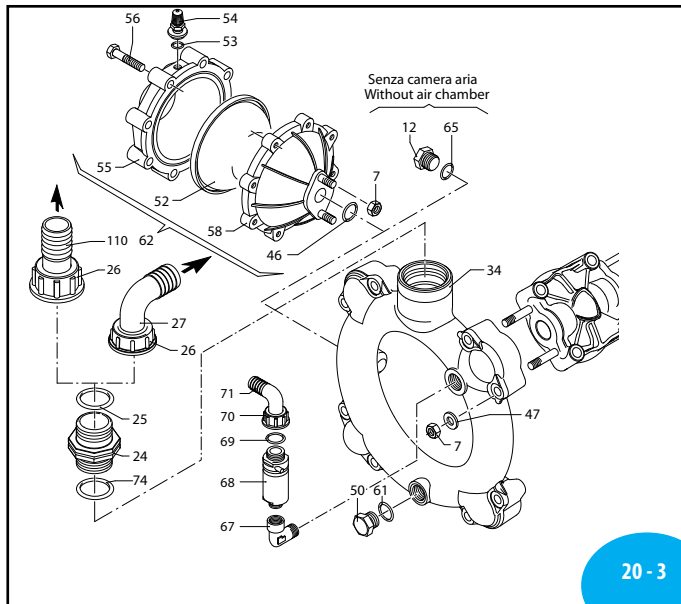
AR 160 bp - AR 185 bp



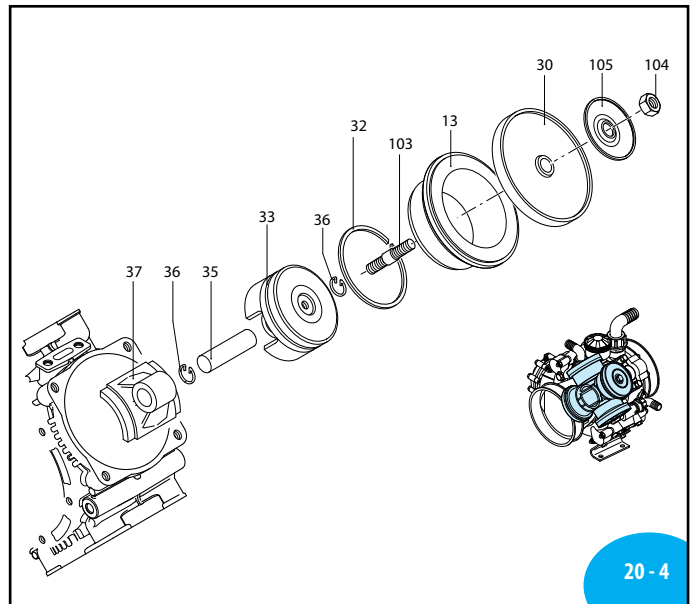
SLO00209-AU



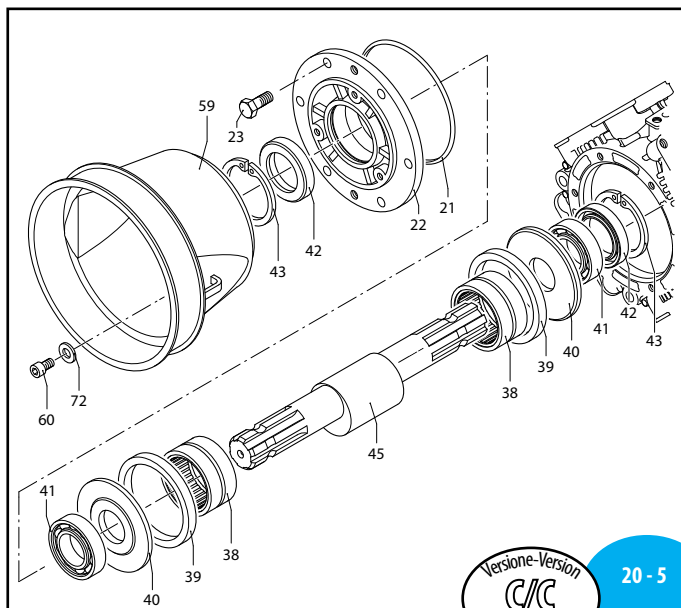
SLO00155-DV



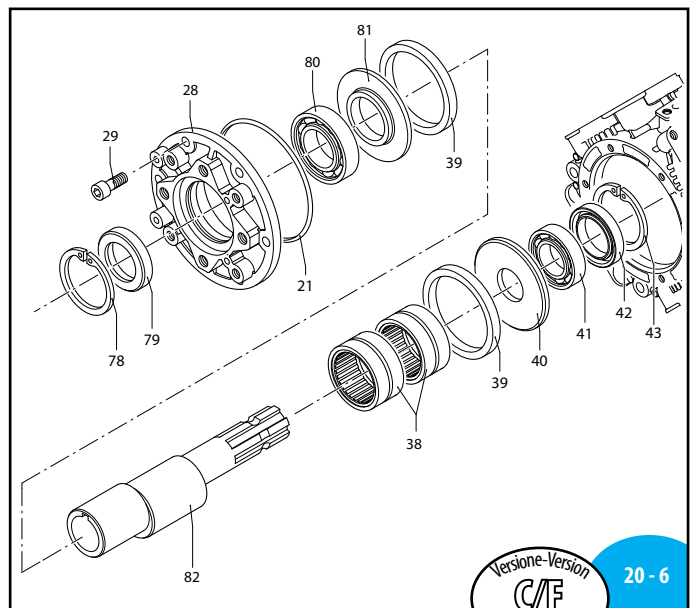
SLO00156-DV



SLO00208-AU



UN000714-IB



UN000715-IB

AR 160 bp - AR 185 bp

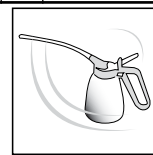
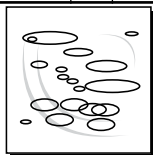
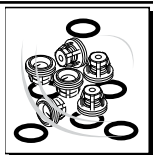
sp_ar160_185bp.pdf

Pos.	Cod.	Descrizione	Description	Q.ty	Note
1	3040430	Curva Ø 40	Elbow	1	AR 160 bp
	3040440	Curva Ø 50	Elbow	1	AR 185 bp
2	3040450	Girello 2" G	Ring nut	1	
5	3040470	Guarnizione OR Ø 39,3x2,6	O-ring	2	☒
6	760750	Condotto aspirazione	Line	1	
7	380242	Dado M8	Nut	18	Geomet C ₂₀
	380244	Dado M8	Nut	18	Inox C ₂₀
8	751350	Testa plastificata	Head	4	
	751352	Testa plastificata	Head	4	Inox
9	680070	Guarnizione OR Ø 31,5x4,25	O-ring	8	☒
10	759051	Valvola	Valve	8	
11	750071	Vite TE M12x70	Screw	4	Geomet C ₅₀
	750072	Vite TE M12x70	Screw	4	Inox C ₅₀
12	880530	Tappo 3/8" G	Plug	2	☒ C ₂₀
	2340350	Tappo 3/8" G	Plug	2	Inox ☒ C ₂₀
13	750110	Camicia	Sleeve	4	AR 160 bp
	750115	Camicia	Sleeve	4	AR 185 bp
14	750061	Vite TE M12x65	Screw	12	Geomet C ₅₀
	750062	Vite TE M12x65	Screw	12	Inox C ₅₀
15	680350	Vite TCEI M8x35	Screw	2	C ₁₀
16	1040060	Guarnizione OR Ø 72,69x2,62	O-ring	1	
17	750057	Tappo nero	Plug	1	AR 160 bp
	750052	Tappo rosso	Plug	1	AR 185 bp
18	750030	Serbatoio	Tank	1	
19	750040	Guarnizione	Gasket	1	☒
20	761010	Corpo pompa	Pump body	1	
21	851360	Guarnizione OR Ø 120,32x2,62	O-ring	1	☒
22	680020	Supporto	Support	1	☒
23	160672	Vite TE M10x25	Screw	6	Geomet C ₄₀ ☒
	160673	Vite TE M10x25	Screw	6	Inox C ₄₀ ☒
24	751130	Raccordo 1"1/2 G M-M	Fitting	1	
25	390290	Guarnizione OR Ø 29x3	O-ring	1	☒
26	750670	Girello 1" 1/2 G	Ring nut	1	
27	760930	Curva Ø 25	Elbow	1	AR 160 bp
	3040160	Curva Ø 35	Elbow	1	AR 185 bp
28	2420181	Supporto	Support	1	☒
29	650640	Vite TCEI M10x25	Screw	6	Geomet C ₄₀
	650642	Vite TCEI M10x25	Screw	6	Inox C ₄₀
30	550080	Membrana	Diaphragm	4	NBR
	550084	Membrana	Diaphragm	4	Viton
	550085	Membrana	Diaphragm	4	Desmopan
	550086	Membrana	Diaphragm	4	HPDS
32	500260	Segmento	Piston ring	4	
33	750122	Pistone Ø 80	Piston	4	
34	760760	Condotto mandata	Line	1	
35	160700	Spina	Pin	4	☒
36	160691	Anello seeger Øi 18	Ring	8	
37	760140	Biella	Connecting-rod	4	
38	750090	Cuscinetto	Bearing	2	
39	750130	Anello biella	Ring	2	☒
40	540040	Piastra	Plate	2	
41	230350	Cuscinetto	Bearing	2	↓
42	160740	Anello tenuta	Ring	2	☒
43	200390	Anello seeger Øi 62	Ring	2	
44	760201	Piede	Foot	2	
45	750170	Albero C/C m-AU	Shaft	1	AR 160 bp
	750174	Albero C/C m-AV	Shaft	1	AR 185 bp
46	390290	Guarnizione OR Ø 29x3	O-ring	1	☒

Pos.	Cod.	Descrizione	Description	Q.ty	Note
47	380243	Rondella	Washer	18	Geomet
	390315	Rondella	Washer	18	Inox
48	250143	Rondella	Washer	4	Geomet
	250144	Rondella	Washer	4	Inox
50	330173	Tappo 1/2" G	Plug	1	Geomet ☒ C ₂₀
	330174	Tappo 1/2" G	Plug	1	Inox ☒ C ₂₀
52	550190	Semicamera aria	Semi air chamber	1	NBR
	550191	Semicamera aria	Semi air chamber	1	Saturflon
	550192	Semicamera aria	Semi air chamber	1	Viton
	550193	Semicamera aria	Semi air chamber	1	HPDS
53	650542	Guarnizione	Gasket	1	
54	180020	Valvola di gonfiaggio	Air valve	1	C ₃
55	620232	Semicamera aria superiore	Semi air chamber	1	Nera
56	621781	Vite TE M8x40	Screw	8	Geomet C ₂₀
	621782	Vite TE M8x40	Screw	8	Inox C ₂₀
58	680180	Semisfera inferiore	Halfball	1	
59	1500470	Protezione cardano	Cardan protection	2	
60	850251	Vite TCEI M8x12	Screw	3	Geomet C ₂₀
	850252	Vite TCEI M8x12	Screw	3	Inox C ₂₀
61	180101	Guarnizione OR Ø 17,5x2	O-ring	1	
62	1552	Camera aria completa	Air chamber	1	
65	740290	Guarnizione OR Ø 14x1,78	O-ring	2	
67	881560	Raccordo 1/2" G M-F	Fitting	1	☒
68	1609000	Valvola di sicurezza	Safety valve	1	☒
69	880831	Guarnizione OR Ø 15,54x2,62	O-ring	1	Viton
70	550450	Girello 3/4" G	Ring nut	1	
71	550460	Curva Ø 18	Elbow	1	
72	390314	Rondella	Washer	3	Geomet
	390315	Rondella	Washer	3	Inox
74	751140	Guarnizione OR Ø 47,22x3,53	O-ring	1	☒
78	620330	Anello seeger Øi 65	Ring	1	
79	1800090	Anello tenuta	Ring	1	☒
80	230310	Cuscinetto	Bearing	1	↓
81	760510	Piastra	Plate	1	
82	760450	Albero C/F Ø25 m-BX	Shaft	1	AR 160 bp
	760520	Albero C/F Ø32 m-BX	Shaft	1	AR 160 bp
	760460	Albero C/F Ø25 m-BZ	Shaft	1	AR 185 bp
	760530	Albero C/F Ø32 m-BT	Shaft	1	AR 185 bp
103	2240100	Perno	Hub pin	4	☒ C ₃₅
104	2240110	Dado	Nut	4	Inox ☒ C ₃₀
105	751250	Piattello	Wobble plate	4	
106	760950	Portagomma Ø 40	Hose tail	1	AR 160 bp
	760570	Portagomma Ø 50	Hose tail	1	AR 185 bp
	760920	Portagomma Ø 25	Hose tail	1	AR 160 bp
110	760940	Portagomma Ø 35	Hose tail	1	AR 185 bp
111	820673	Vite TCEI M10x16	Screw	3	Geomet
	820672	Vite TCEI M10x16	Screw	3	Inox
112	320621	Rondella 10.5x21x2	Washer	3	Geomet
	320622	Rondella 10.5x21x2	Washer	3	Inox
113	761030	Piede	Foot	2	
114	160672	Vite TE M10x25	Screw	6	Geomet ☒ C ₂₀
	160673	Vite TE M10x25	Screw	6	Inox ☒ C ₂₀
115	1040491	Raccordo 3/8" M-F	Fitting	1	☒
116	900210	Raccordo 3/8" G M-F	Fitting	1	☒
117	2260200	Rondella	Washer	1	
118	2281270	Tappo 3/8" G	Plug	1	☒ C ₂₀

Bassa Pressione
Low Pressure

Nuove test. C.I. 0478MG



KIT 2371	
Membrane gomma Buna diaphragms	
KIT 2372	
Membrane HPDS HPDS diaphragms	
KIT 2373	
Membrane Desmopan Desmopan diaphragms	
Pos.	Q.ty
30	4

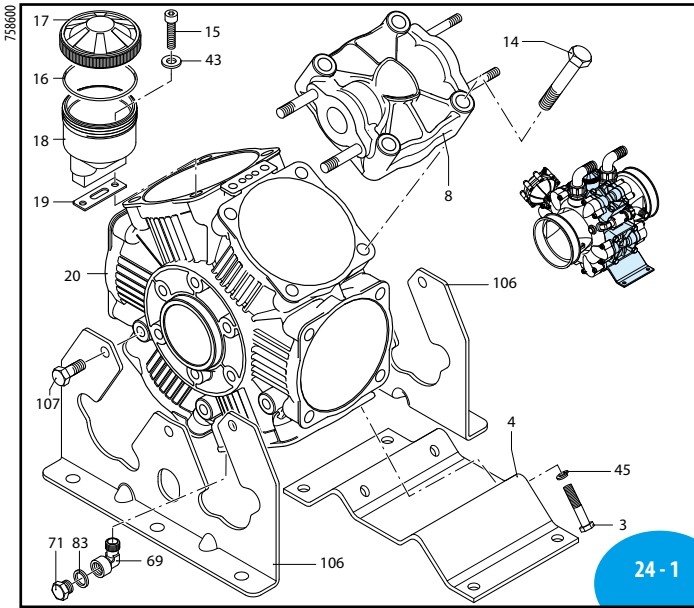
KIT 2374	
Valvole Valves	
Pos.	Q.ty
9	8
10	8

KIT 42510			
OR O-Rings			
Pos.	Q.ty	Pos.	Q.ty
5	2	69	1
9	8	74	1
16	1		
21	1		
25	1		
46	1		
53	1		
61	1		
65	2		

KIT 42511 - AR 160 bp					
KIT 42512 - AR 185 bp					
Pronto intervento Maintenance repair					
Pos.	Q.ty	Pos.	Q.ty	Pos.	Q.ty
1	1	21	1	61	1
2	1	24	1	65	2
5	2	25	1	69	1
9	8	26	1	74	1
10	8	27	1	103	4
16	1	30	4	104	4
17	1	42	2	105	4
18	1	46	1		
19	1	52	1		

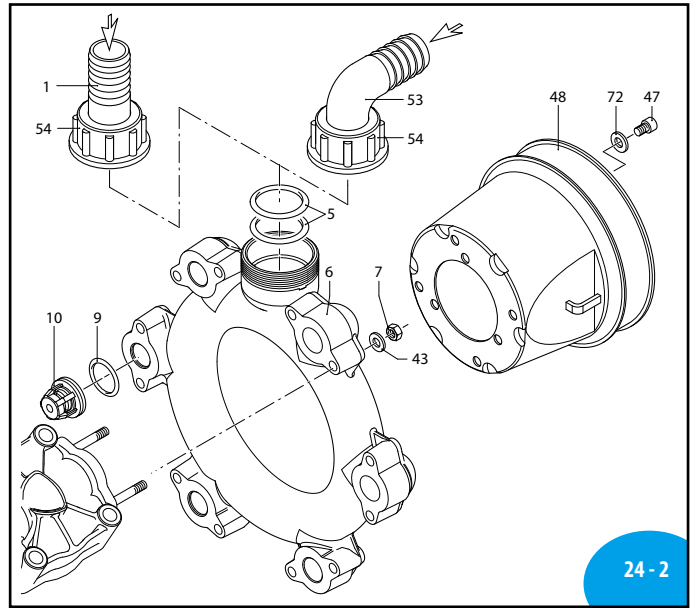
Olio utilizzato	
Used oil	
Tipo - Type	Kg
SAE 30	1,4

AR 215 bp - AR 250 bp - AR 280 bp



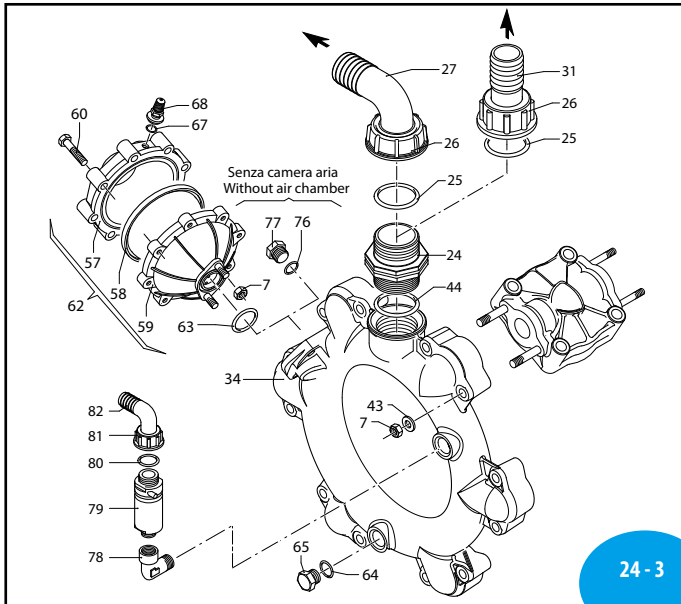
24 - 1

SL000316-CU



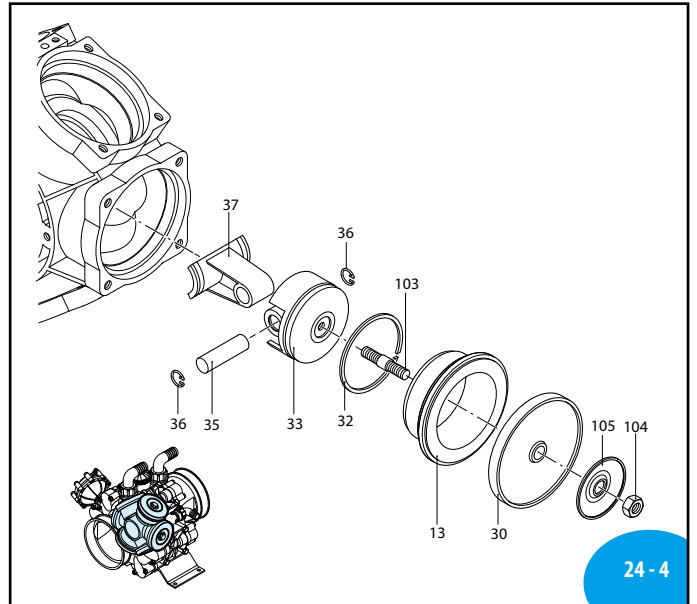
24 - 2

SL000317-CU



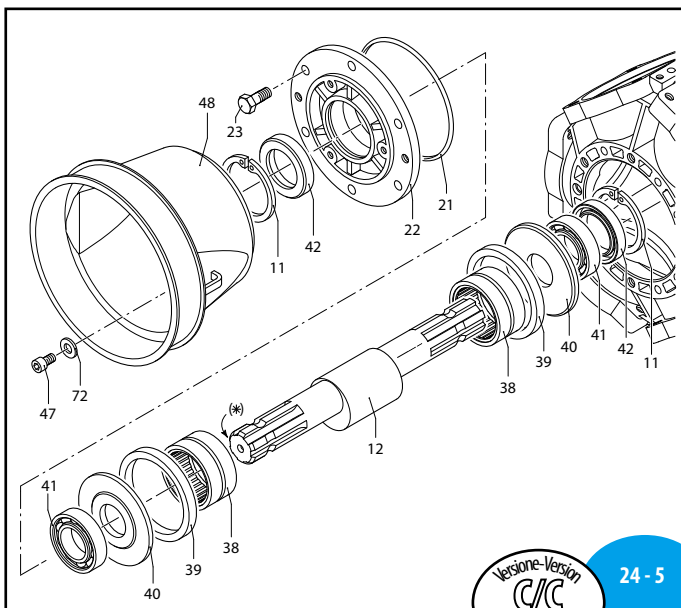
24 - 3

SL000318-CU



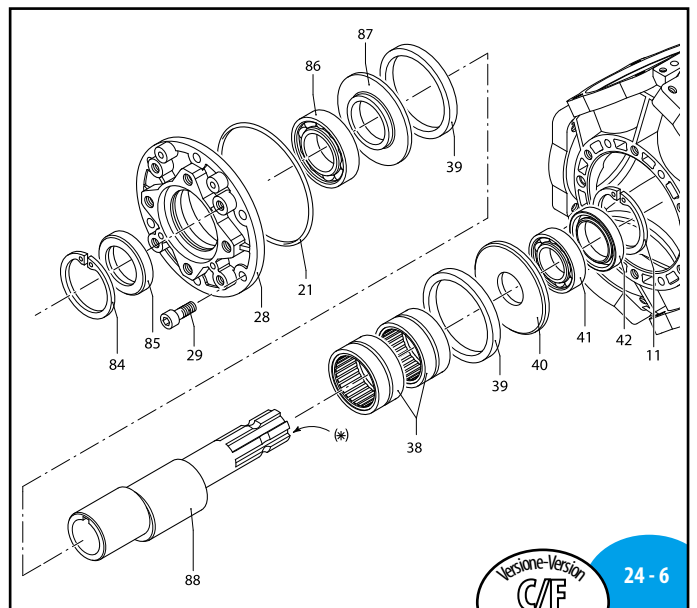
24 - 4

SL000319-CU



24 - 5

SL000320-CU



24 - 6

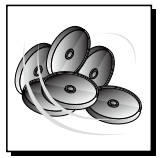
UN000726-IB

AR 215 bp - AR 250 bp - AR 280 bp

Pos. 序号	Cod. 编号	Description	描述	Q.ty 数量	Note 备注
1	750870	Hose tail	接头	1	Optional
2	750730	Hose tail	接头	1	Optional
3	750071	Bolt	螺丝	4	Geomet C ₅₀
3	750072	Bolt	螺丝	4	Inox C ₅₀
4	750200	Base	底座	1	
5	750740	O-Ring	O型圈	2	☒
6	751070	Suction manifold	抽吸歧管	1	
7	380242	Nut	螺母	26	Geomet C ₂₀
7	380244	Nut	螺母	26	Inox C ₂₀
8	751350	Head	泵头	6	
8	751352	Head	泵头	6	Inox
9	680070	O-Ring	O型圈	12	☒
10	759051	Complete valve	单向阀	12	
11	200390	Circlip	卡簧	2	
12	750176	Crankshaft	曲轴	1	AR 215 bp (#AZ)
12	750170	Crankshaft	曲轴	1	AR 250 bp (#AU)
12	750174	Crankshaft	曲轴	1	AR 280 bp (#AV)
13	750117	Sleeve	套筒	6	AR 215 bp
13	750110	Sleeve	套筒	6	AR 250 bp
13	750115	Sleeve	套筒	6	AR 280 bp
14	750061	Bolt	螺丝	20	Geomet C ₅₀
14	750062	Bolt	螺丝	20	Inox C ₅₀
15	680350	Bolt	螺丝	2	C ₁₀
16	1040060	O-Ring	O型圈	1	
17	750053	Green oil tank cap	绿色机油箱盖	1	AR 215 bp
17	750057	Black oil tank cap	黑色机油箱盖	1	AR 250 bp
17	750052	Red oil tank cap	红色机油箱盖	1	AR 280 bp
18	750030	Oil tank	机油箱	1	
19	750040	Gasket	垫片	1	☒
20	750010	Pump body	泵体	1	
21	851360	O-Ring	O型圈	1	☒
22	680020	Shaft support	轴支撑盘	1	☒
23	160672	Bolt	螺丝	6	Geomet C ₄₀
23	160673	Bolt	螺丝	6	Inox C ₄₀
24	751130	Threaded adapter	螺口连接器	1	
25	390290	O-Ring	O型圈	1	☒
26	750670	Ring nut	环形螺母	1	
27	3040160	Elbow	弯管	1	
28	2420181	Shaft support	轴支撑盘	1	☒
29	650640	Bolt	螺丝	6	Geomet C ₄₀
30	550080	Diaphragm	隔膜	6	Gomma
30	550084	Diaphragm	隔膜	6	Viton
30	550085	Diaphragm	隔膜	6	Desmopan
30	550086	Diaphragm	隔膜	6	H.P.D.S.
31	760940	Hose tail	接头	1	Optional
32	500260	Piston ring	柱塞环	6	
33	750122	Piston	柱塞	6	
34	751080	Manifold	歧管	1	
35	160700	Pin	插销	6	☒
36	160691	Pin ring	插销圈	12	
37	750140	Connecting rod	连杆	6	
38	750090	Roller bearing	滚珠轴承	2	
39	750130	Con rod ring	连杆环	2	☒
40	540040	Spacer washer	隔离垫圈	2	
41	751280	Bearing	轴承	2	↓

Pos. 序号	Cod. 编号	Description	描述	Q.ty 数量	Note 备注
42	160740	Seal ring	密封圈	2	☒
43	380243	Washer	垫圈	26	Geomet
43	390315	Washer	垫圈	26	Inox
44	751140	O-Ring	O型圈	1	☒
45	250143	Washer	垫圈	4	Geomet
45	250144	Washer	垫圈	4	Inox
47	850251	Bolt	螺丝	3	Geomet C ₂₀
47	850252	Bolt	螺丝	3	Inox C ₂₀
48	1500470	Cardan protection	万向保护罩	2	
53	750850	Elbow	弯管	1	AR 215 bp AR 250 bp
53	750720	Elbow	弯管	1	AR 280 bp
54	750710	Ring nut	环形螺母	1	
57	620232	Upper air chamber	升压气室	1	Nera / Black
57	550190	Semi air chamber	半气室	1	Gomma
57	550191	Semi air chamber	半气室	1	Saturflon
57	550192	Semi air chamber	半气室	1	Viton
57	550193	Semi air chamber	半气室	1	H.P.D.S.
59	680180	Lower air chamber	降压气室	1	
60	621781	Bolt	螺丝	8	Geomet C ₂₀
60	621782	Bolt	螺丝	8	Inox C ₂₀
62	1552	Complete air chamber	全气室	1	
63	390290	O-Ring	O型圈	1	☒
64	180101	O-Ring	O型圈	1	
65	330173	Plug	插头	1	Geomet C ₂₀
65	330174	Plug	插头	1	Inox C ₂₀
67	650542	Gasket	垫片	1	
68	180020	Air valve	空气阀	1	
69	750370	Elbow	弯管	1	☒
71	880581	Plug	插头	1	C ₂₀
72	390314	Washer	垫圈	6	Geomet
72	390315	Washer	垫圈	6	Inox
76	740290	O-Ring	O型圈	1	
77	880530	Plug	插头	1	☒
77	2340350	Plug	插头	1	Inox C ₂₀
78	881560	Elbow	弯管	1	
79	1609000	Safety valve	安全阀	1	
80	880831	O-Ring	O型圈	2	Viton
81	550450	Ring nut	环形螺母	1	
82	550460	Elbow	弯管	1	
83	880820	Washer	垫圈	1	
84	620330	Circlip	卡簧	1	
85	1800090	Seal ring	密封圈	1	☒
86	230310	Bearing	轴承	1	↓
87	760510	Spacer washer	隔离垫圈	1	
87	760450	"C/F" (ø25) shaft	轴	1	AR 250 bp (#BX)
87	760520	"C/F" (ø32) shaft	轴	1	AR 250 bp (#BS)
87	760460	"C/F" (ø25) shaft	轴	1	AR 280 bp (#BZ)
87	760530	"C/F" (ø32) shaft	轴	1	AR 280 bp (#BT)
103	2240100	Stud	螺栓	6	C ₃₅
104	2240110	Nut	螺母	6	C ₃₀
105	751250	Plate	弹簧片	6	
106	751290	Base	底座	2	
107	160672	Bolt	螺丝	6	Geomet C ₄₀
107	160673	Bolt	螺丝	6	Inox C ₄₀

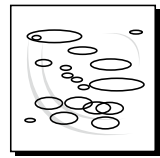
Low Pressure 低压



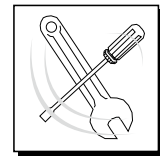
KIT 1926	
Buna diaphragms 丁纳橡胶隔膜	
KIT 1975	
HPDS diaphragms HPDS 隔膜	
KIT 2310	
Desmopan diaphragms 德国拜耳隔膜	
Pos. 序号	Q.ty 数量
30	6



KIT 2114	
Valves 单向阀	
Pos. 序号	Q.ty 数量
9	12
10	12



KIT 42513 †(ex1904)			
O-Rings O型圈			
Pos. 序号	Q.ty 数量	Pos. 序号	Q.ty 数量
5	2	80	2
9	12		
16	1		
21	1		
25	1		
44	1		
63	1		
64	1		
76	1		



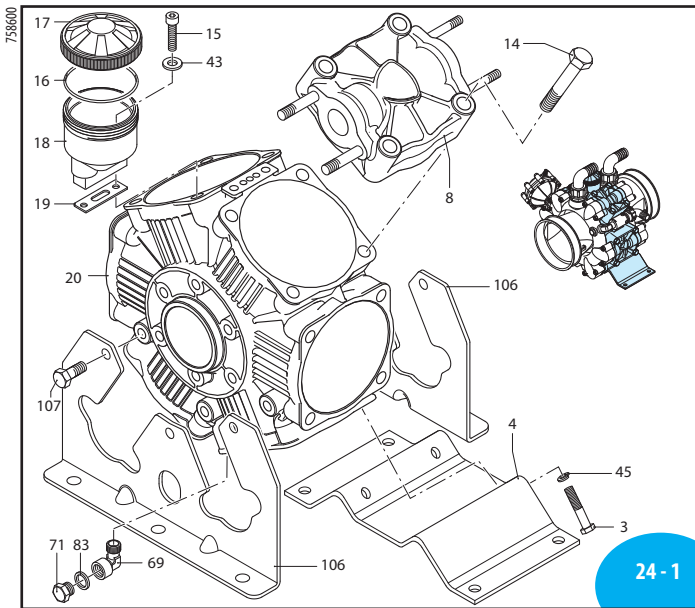
KIT 42514 †(ex2028) - AR 215 bp					
KIT 42515 †(ex2028) - AR 250 bp					
KIT 42516 †(ex2028) - AR 280 bp					
Maintenance repair 维修工具					
Pos. 序号	Q.ty 数量	Pos. 序号	Q.ty 数量	Pos. 序号	Q.ty 数量
5	2	25	1	63	1
9	12	26	1	64	1
10	12	27	1	67	1
16	1	30	6	76	1
17	1	42	2	80	2
18	1	44	1	103	6
19	1	53	1	104	6
21	1	54	1	105	6
24	1	58	1		



Used oil 使用机油	
Type / 类型	Kg
Sae 30	2,4

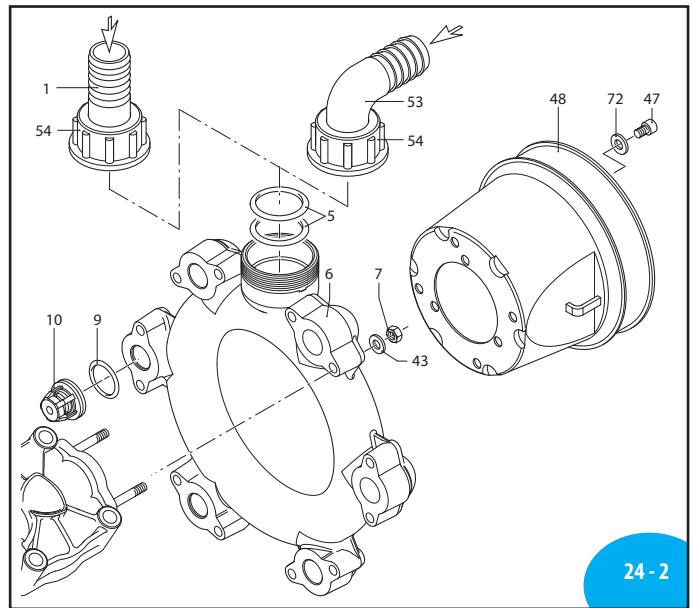
† Da numero matricola 7546090037

AR 215 bp - AR 250 bp - AR 280 bp



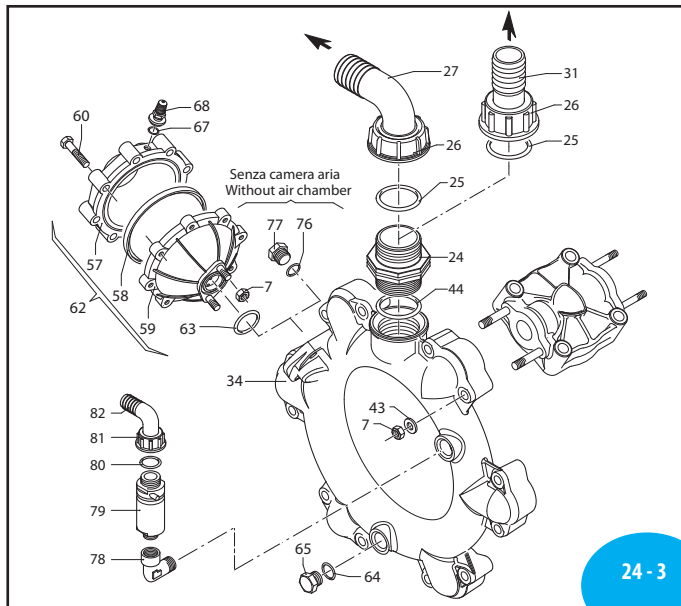
24 - 1

SL000316-CU



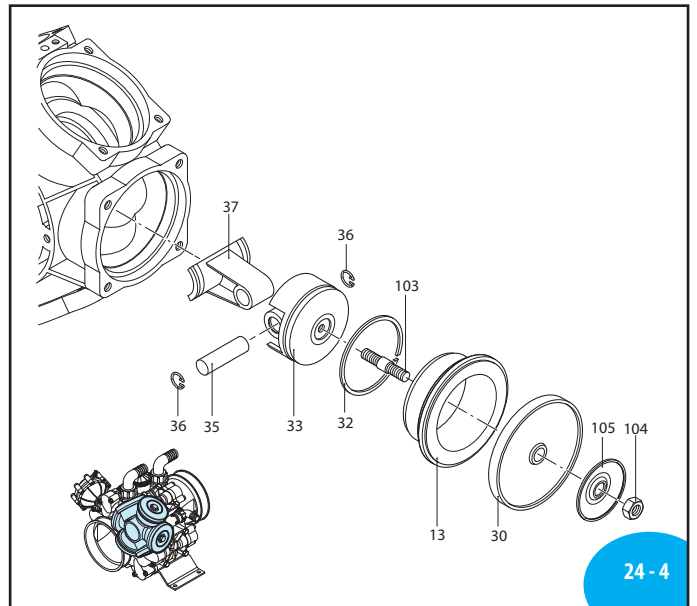
24 - 2

SL000317-CU



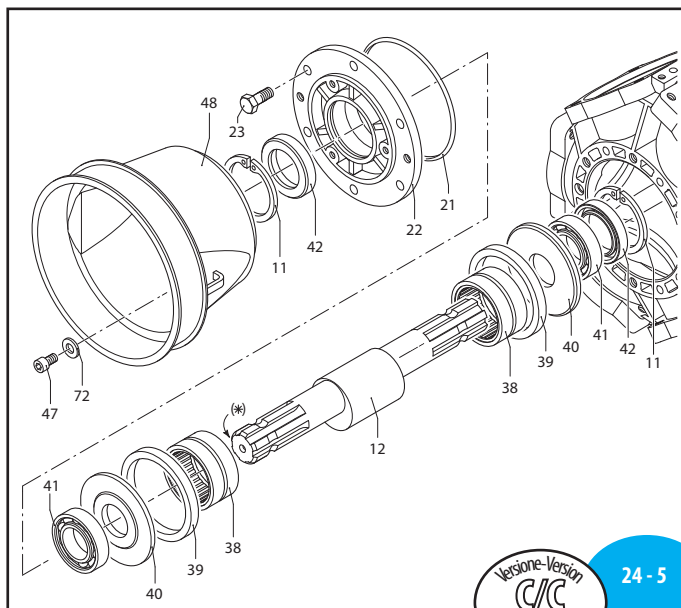
24 - 3

SL000318-CU



24 - 4

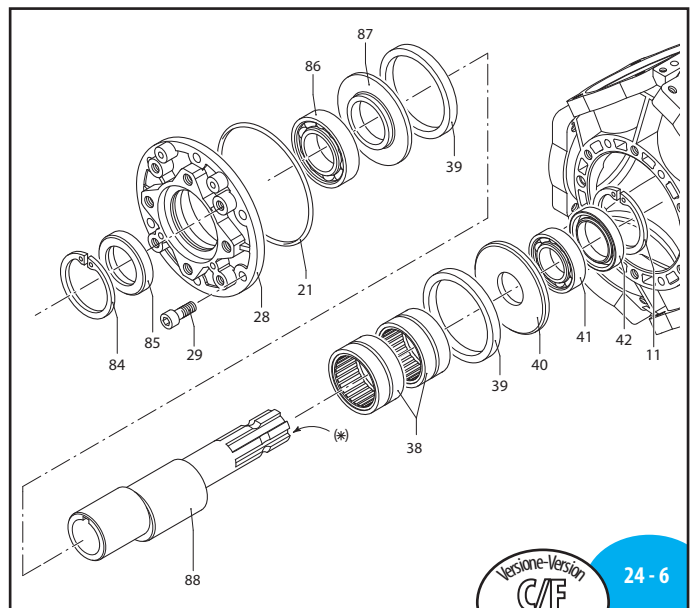
SL000319-CU



24 - 5

SL000320-CU

Versione-Version
C/C



24 - 6

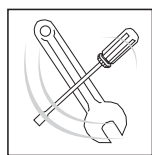
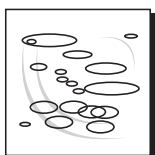
UN000726-IB

Versione-Version
C/F
(Ø 25 / Ø 32)

AR 215 bp - AR 250 bp - AR 280 bp

Pos.	Cod.	Descrizione	Description	Q.ty	Note
1	750870	Portagomma ø 50	Hose tail	1	Optional
	750730	Portagomma ø 60	Hose tail	1	Optional
3	750071	Vite TE M 12x70	Bolt	4	Geomet C ₅₀
	750072	Vite TE M 12x70	Bolt	4	Inox C ₅₀
4	750200	Piede corpo pompa	Base	1	
5	750740	OR ø 56,74x3,53	O-Ring	2	☒
6	751070	Condotto aspirazione	Suction manifold	1	
7	380242	Dado M 8	Nut	26	Geomet C ₂₀
	380244	Dado M 8	Nut	26	Inox C ₂₀
8	751350	Testa porta valvole	Head	6	
	751352	Testa porta valvole	Head	6	Inox
9	680070	OR ø 31,5x4,25	O-Ring	12	☒
10	759051	Valvola completa	Complete valve	12	
11	200390	Anello seeger	Circlip	2	
12	750176	Albero eccentrico	Crankshaft	1	AR 215 bp (≠AZ)
	750170	Albero eccentrico	Crankshaft	1	AR 250 bp (≠AU)
	750174	Albero eccentrico	Crankshaft	1	AR 280 bp (≠AV)
13	750117	Camicia	Sleeve	6	AR 215 bp
	750110	Camicia	Sleeve	6	AR 250 bp
	750115	Camicia	Sleeve	6	AR 280 bp
14	750061	Vite TE M 12x65	Bolt	20	Geomet C ₅₀
	750062	Vite TE M 12x65	Bolt	20	Inox C ₅₀
15	680350	Vite TCEI M 8x35	Bolt	2	C ₁₀
16	1040060	OR ø 72,69x2,62	O-Ring	1	
17	750053	Tappo serbatoio verde	Green oil tank cap	1	AR 215 bp
	750057	Tappo serbatoio nero	Black oil tank cap	1	AR 250 bp
	750052	Tappo serbatoio rosso	Red oil tank cap	1	AR 280 bp
18	750030	Serbatoio olio	Oil tank	1	
19	750040	Guarnizione serbatoio	Gasket	1	☒
20	750010	Corpo pompa	Pump body	1	
21	851360	OR ø 120,32x2,62	O-Ring	1	☒
22	680020	Supporto albero	Shaft support	1	☒
23	160672	Vite TE M 10x25	Bolt	6	Geomet C ₄₀
	160673	Vite TE M 10x25	Bolt	6	Inox C ₄₀
24	751130	Nipples 1"1/2 G (M-M)	Threaded adapter	1	
25	390290	OR ø 29x3	O-Ring	1	☒
26	750670	Girello 1"1/2 G	Ring nut	1	
27	3040160	Curva ø 35	Elbow	1	
28	2420181	Supporto albero	Shaft support	1	☒
29	650640	Vite TCEI M 10x25	Bolt	6	Geomet C ₄₀
	550080	Membrana	Diaphragm	6	Gomma
	550084	Membrana	Diaphragm	6	Viton
	550085	Membrana	Diaphragm	6	Desmopan
	550086	Membrana	Diaphragm	6	H.P.D.S.
31	760940	Portagomma ø 35	Hose tail	1	Optional
32	500260	Segmento	Piston ring	6	
33	750122	Pistone	Piston	6	
34	751080	Condotto mandata	Manifold	1	
35	160700	Spinotto	Pin	6	☒
36	160691	Anellino spinotto	Pin ring	12	
37	750140	Biella	Connecting rod	6	
38	750090	Cuscinetto a rullini	Roller bearing	2	
39	750130	Anello biella	Con rod ring	2	☒
40	540040	Piastra distanziale	Spacer washer	2	
41	751280	Cuscinetto	Bearing	2	↓

Pos.	Cod.	Descrizione	Description	Q.ty	Note
42	160740	Anello tenuta	Seal ring	2	☒
	380243	Rosetta øi 8,5	Washer	26	Geomet
43	390315	Rosetta øi 8,5	Washer	26	Inox
44	751140	OR ø 47,22x3,53	O-Ring	1	☒
	250143	Rosetta øi 12,5	Washer	4	Geomet
45	250144	Rosetta øi 12,5	Washer	4	Inox
47	850251	Vite TCEI M 8x12	Bolt	3	Geomet C ₂₀
	850252	Vite TCEI M 8x12	Bolt	3	Inox C ₂₀
48	1500470	Protezione cardano	Cardan protection	2	
	750850	Curva ø 50	Elbow	1	AR 215 bp AR 250 bp
53	750720	Curva ø 60	Elbow	1	AR 280 bp
54	750710	Girello 2"1/2 G	Ring nut	1	
57	620232	Semisfera superiore	Upper air chamber	1	Nera / Black
	550190	Semicamera aria	Semi air chamber	1	Gomma
	550191	Semicamera aria	Semi air chamber	1	Saturflon
	550192	Semicamera aria	Semi air chamber	1	Viton
	550193	Semicamera aria	Semi air chamber	1	H.P.D.S.
59	680180	Semisfera inferiore	Lower air chamber	1	
	621781	Vite TE M 8x40	Bolt	8	Geomet C ₂₀
60	621782	Vite TE M 8x40	Bolt	8	Inox C ₂₀
62	1552	Camera aria completa	Complete air chamber	1	
63	390290	OR ø 29x3	O-Ring	1	☒
64	180101	OR ø 17,5x2	O-Ring	1	
65	330173	Tappo 1/2" G	Plug	1	Geomet C ₂₀
	330174	Tappo 1/2" G	Plug	1	Inox C ₂₀
67	650542	Guarnizione	Gasket	1	
68	180020	Valvola di gonfiaggio	Air valve	1	
69	750370	Gomito 1/4" G (M)-(F)	Elbow	1	☒
71	880581	Tappo 1/4" G	Plug	1	C ₂₀
72	390314	Rondella øi 8,5	Washer	6	Geomet
	390315	Rondella øi 8,5	Washer	6	Inox
76	740290	OR ø 14x1,78	O-Ring	1	
77	880530	Tappo 3/8" G	Plug	1	☒
	2340350	Tappo 3/8" G	Plug	1	Inox C ₂₀
78	881560	Gomito 90° 1/2" G (M)-(F)	Elbow	1	
79	1609000	Valvola di sicurezza	Safety valve	1	
80	880831	OR ø 15,54x2,62	O-Ring	2	Viton
81	550450	Girello 3/4" G	Ring nut	1	
82	550460	Curva ø 18	Elbow	1	
83	880820	Rosetta øi 13	Washer	1	
84	620330	Anello seeger	Circlip	1	
85	1800090	Anello tenuta	Seal ring	1	☒
86	230310	Cuscinetto	Bearing	1	↓
87	760510	Piastra distanziale	Spacer washer	1	
	760450	Albero ecc. "C/F" (ø25)	"C/F" (ø25) shaft	1	AR 250 bp (≠BX)
	760520	Albero ecc. "C/F" (ø32)	"C/F" (ø32) shaft	1	AR 250 bp (≠BS)
	760460	Albero ecc. "C/F" (ø25)	"C/F" (ø25) shaft	1	AR 280 bp (≠BZ)
	760530	Albero ecc. "C/F" (ø32)	"C/F" (ø32) shaft	1	AR 280 bp (≠BT)
103	2240100	Prigioniero	Stud	6	☒ C ₃₅
104	2240110	Dado	Nut	6	☒ C ₃₀
105	751250	Piattello	Plate	6	
106	751290	Piede corpo pompa	Base	2	
107	160672	Vite TE M 10x25	Bolt	6	Geomet C ₄₀
	160673	Vite TE M 10x25	Bolt	6	Inox C ₄₀



KIT 1926	
Membrane gomma Buna diaphragms	
KIT 1975	
Membrane HPDS HPDS diaphragms	
KIT 2310	
Membrane Desmopan Desmopan diaphragms	
Pos.	Q.ty
30	6

KIT 2114	
Valvole Valves	
Pos.	Q.ty
9	12
10	12

KIT 42513 † (ex1904)			
OR O-Rings			
Pos.	Q.ty	Pos.	Q.ty
5	2	80	2
9	12		
16	1		
21	1		
25	1		
44	1		
63	1		
64	1		
76	1		

KIT 42514 † (ex2028) - AR 215 bp					
42515 † (ex2028) - AR 250 bp					
42516 † (ex2028) - AR 280 bp					
Pronto intervento Maintenance repair					
Pos.	Q.ty	Pos.	Q.ty	Pos.	Q.ty
5	2	25	1	63	1
9	12	26	1	64	1
10	12	27	1	67	1
16	1	30	6	76	1
17	1	42	2	80	2
18	1	44	1	103	6
19	1	53	1	104	6
21	1	54	1	105	6
24	1	58	1		

Olivo utilizzato	
Used oil	
Tipo - Type	Kg
Sae 30	2,4

† Da numero matricola 7546090037